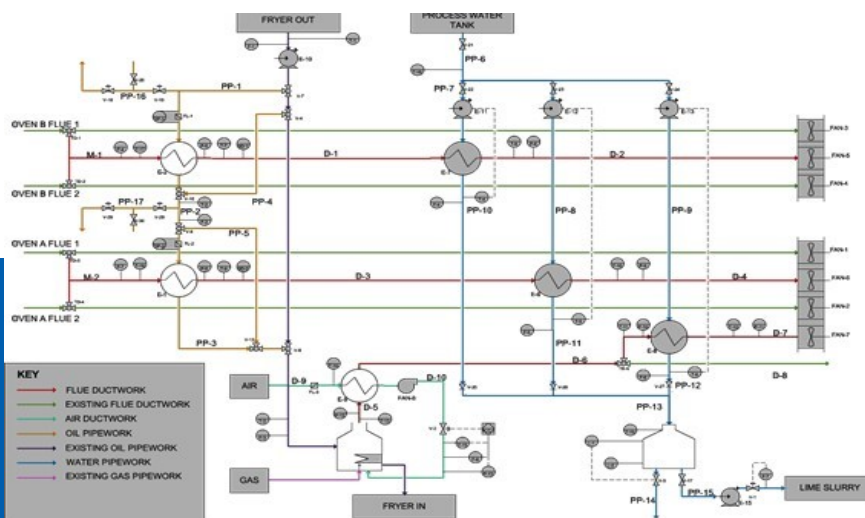


Process Integration and Pinch Analysis

A Blue-chip Food Company reached out to Enertherm Engineering to perform a **Pinch Analysis** of all processing lines on one of their sites. They needed to assess their energy usage and to find possible areas for heat recovery or energy usage reduction.

The information needed for the analysis was queried from site databases where available with onsite measurement used to find outstanding information. This allowed the sites hot and cold streams to be mapped, minimum hot and cold utility requirements found and multiple heat exchange networks modelled.



The design with the best performance gave a payback of 2.7 years, with gas and steam savings of 790 kW equating to circa £125,000/pa savings.

Pinch analysis is a method for optimising and maximising heat recovery systems across industrial processes and therefore minimising energy consumption.

Click below to book an appointment and see how we could help you.



Francois Pierrel

15 Minute Meeting

🕒 15 min

“EnerTherm Engineering – Thrive To Optimise”